



HTM200M-72

Electrical Characteristics

HTM185W-190W-195W -200W(125M)



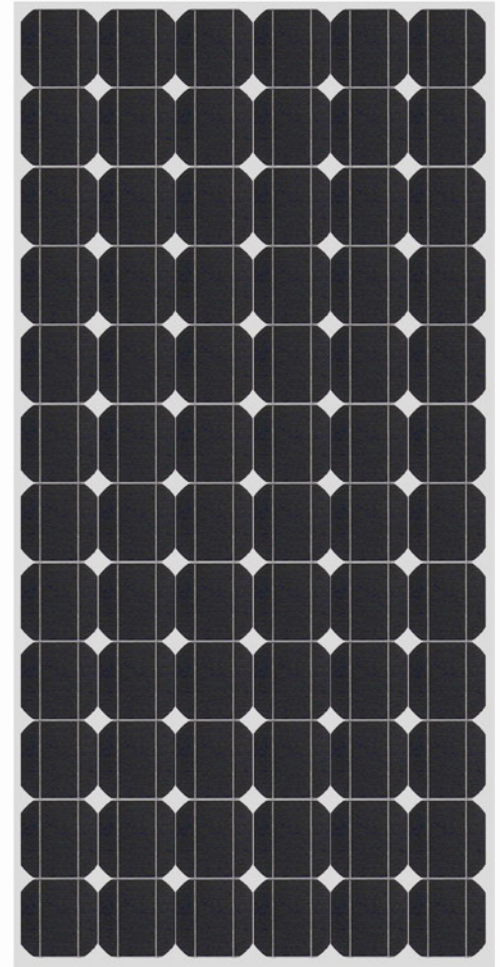
Mechanical Characteristics

Dimensions (mm)	1580 × 808 × 40
Weight (kg)	15.5kg
Solar cells	72 cells (125mm 6 × 12)

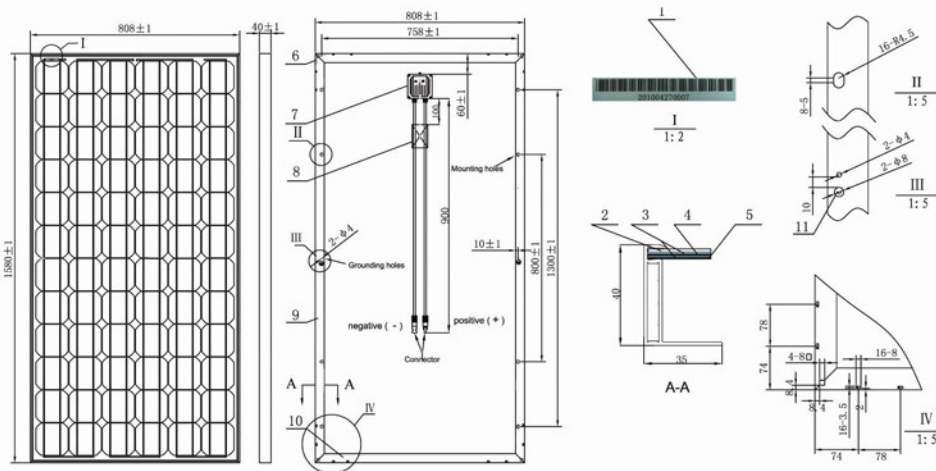
Performance

High Transmission, Low Iron Tempered Glass bypass diodes protection

Warranty	90% power output over 12 years
	80% power output over 25 years
	Free from defects in materials and workmanship for 10 years



HTM200M-72(125MONO)





Parameter

Rated Maximum Power(Pm)	185W	190W	195W	200W
Voltage at Pmax (Vmp)	36.0V	36.5V	36.5V	36.5V
Current at Pmax (Imp)	5.14A	5.21A	5.34A	5.48A
Open Circuit Voltage (Voc)	43.9V	44.5V	44.5V	44.5V
Short Circuit Current (Isc)	5.45A	5.52A	5.66A	5.81A
Module Efficiency	14.49%	14.88%	15.27%	15.67%
Power tolerance (% Pmax)	0/+3%	0/+3%	0/+3%	0/+3%
Maximum Series Fuse Rating	10A			
Maximum System Voltage	1000VDC			
Operating Temperature	-40°C to +85°C			
Temperature coefficients of Pm	-0.43%/°C			
Temperature coefficients of Voc	-0.32%/°C			
Nominal Operating Cell Temperature	47±2°C			
Standard Test conditions	STC: 1000W/m ² AM: 1.5 Module Temperature: 25°C			